

# Tong Test Stand

## GENERAL ARRANGEMENT

Dimensions are for reference only and may vary on each unit.

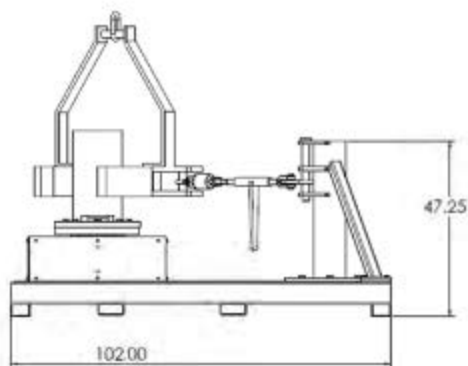
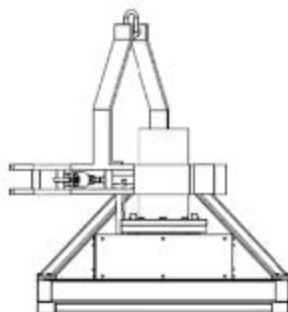
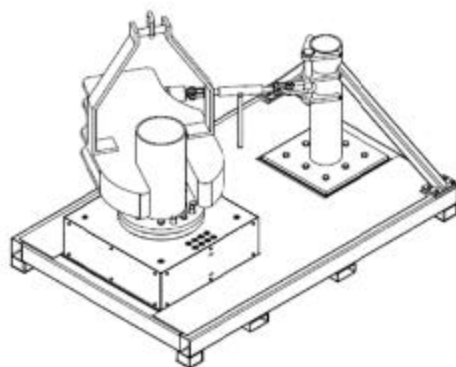
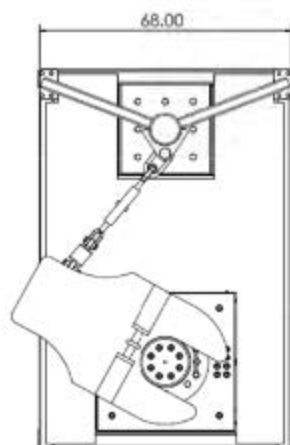


Figure 2